
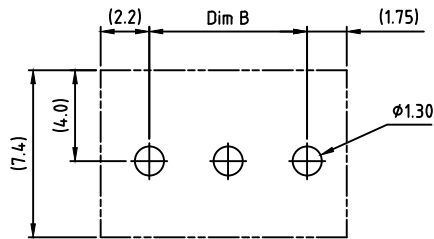
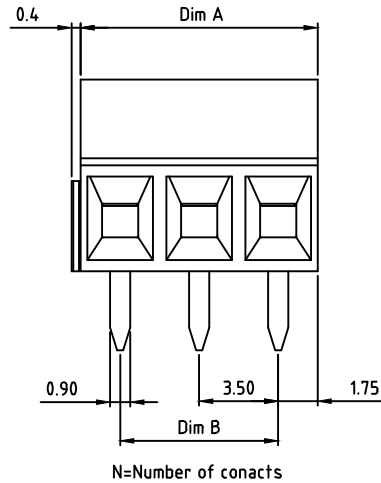
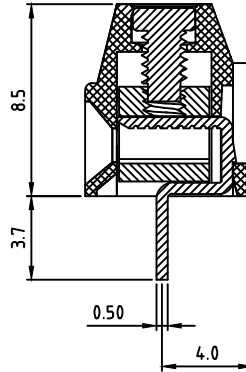
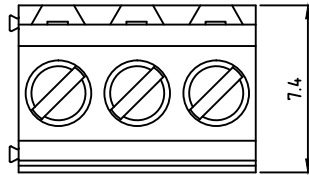


SPECIFICATIONS

Voltage Rating: 300 VAC
 Current Rating: 10 Amps/12 Amps
 Stranded/Solid Wire: 16-24
 Wire Strip Range: 5-6mm
 Dielectric withstanding: 1.6KV/1.25KV
 Wire Range: 0.2-1.5mm²
 Operating Temperature: -40°C~+115°C
 Max Processing Temp: 250°C±10°C for 5 seconds
 Clamp: Brass, Tin Plated
 Terminal Screw: Steel, Zinc Plated, "–" Slot Type
 Solder Pin: Brass with Tin Plated
 Insulator Material: Thermoplastic UL 94V-0
 Torque: 1.7in-lb/0.2Nm
 Screw: M2
 Safety Approval: 



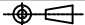
Dimensions	
A	N×3.5
B	(N-1)×3.5
Poles	Tolerance
2P-6P	±0.15
7P-12P	±0.25
13P-18P	±0.35
19P-24P	±0.40

TBBL- xx JAx J-FG

↓ FG: RoHS Compliant
 Pb<40000ppm
 02 2 CONTACTS
 03 3 CONTACTS

 24 24 CONTACTS
 J: Black(RAL9005)
 B: Red(RAL3001/D)
 C: Orange(RAL2011/P)
 D: Yellow(RAL1018/A)
 E: Green(RAL6018/T)
 F: Blue(RAL5015/A)
 H: Grey(RAL7035/D)
 I: White(RAL1102)
 3: Green(RAL6018/U)

APTOS Technology CONFIDENTIAL
 This document, and all information it contains, are the confidential, proprietary property of APTOS Technology. Disclosure, duplication or distribution of this document, or any information it contains, in whole or part, without prior written permission from APTOS Technology is strictly prohibited.

GENERAL TOLERANCE UNLESS OTHERWISE SPECIFIED	
XXX. ± X	.XX ± 0.10
XX. ± X	.XXX ± X
X. ± 0.50	X' ± 1'
.X ± 0.30	.X' ± X'
REV. A	DRAWN
DATE 07/11/2017	CHECKED
SCALE As shown	APPROVED
UNIT mm	



TBBL Series
 3.50 mm Terminal Block – 1st Level
 PRODUCT NO. TBBL-XXJAXJ-FG
 FILE NAME: TBBL-XXJAXJ-FG LF APD.DWG